

Principal Applications

Designed for continuous operation in, chillers, coolers, vending and general water applications

Pipes, Fittings and Mounting Plates

SPC pumps are fitted to python systems to provide the optimum cooling rate for soft drinks, beers and wines

Braided hose or brewery tubing complete with fittings available to order

Alternative mounting plates in stainless steel available to order

Wetted Materials

PP or stainless steel mounting plate

ABS Column/Pump Body

Stainless steel shaft

Nylon Agitator

Features

Up to 12.8 litres/minute,

Up to 6 metres head

Low maintenance and long life

Available with plugs and leads to suit application

Agitator propeller fitted as standard

Top mounted with keyhole mounting plate

IPX4 motor housing

SPC 51 Voltage

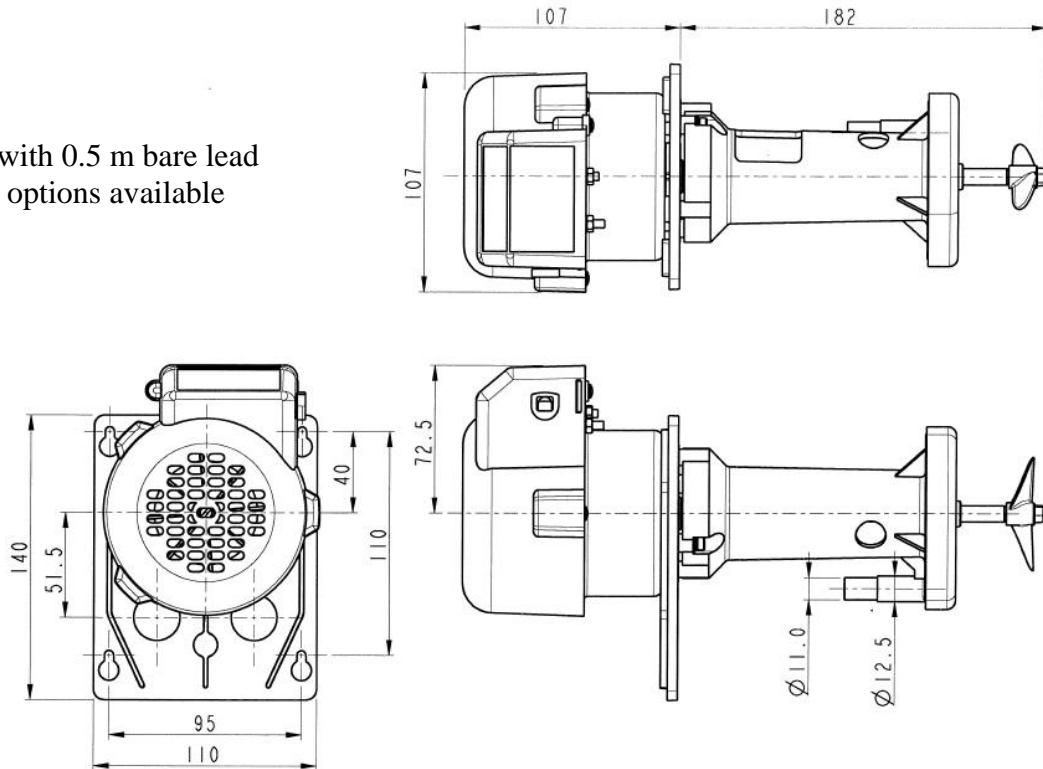
110V or 230V 50/60Hz versions



Drawings not to scale
 Dimensions in millimetres

SPC 51

Supplied with 0.5 m bare lead
 Customer options available

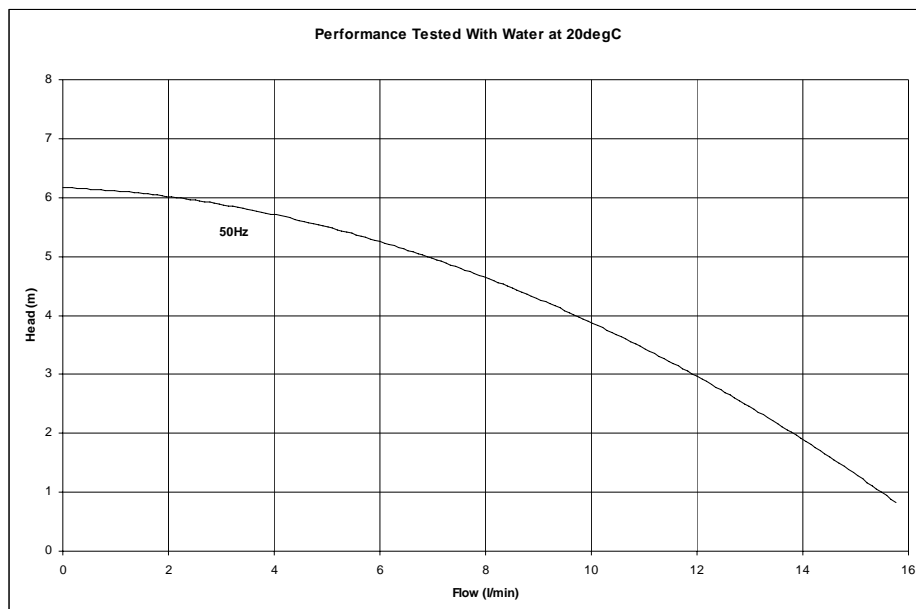


Specification

Model	Overall height (mm)	Overall length (mm)	Weight (kg)	Max capacity (l/min)	Max head (m)	Output port (mm)	Temp range (degC)	*Max specific gravity	Motor output (watts)
SPC 51	107	289	2.0	15.8	6.2	Plain 11/12.5 combined	-20 to +85	1.2	30

*Assuming maximum viscosity of 30cp. Refer to Totton Pumps for higher viscosities and specific gravities

Performance



NOTE: These pumps are designed for use with clean fluids.
 Solids will cause jamming. Abrasives will reduce pump life & invalidate the warranty.
 SPC pumps are self-priming. The company reserves the right to change specifications

Totton Pumps Ltd.

Tel: +44 (0)23 8066 6685
 Email: info@totton-pumps.com

Fax: +44 (0)23 8066 6880
 Web: totton-pumps.co.uk