



### Principal Applications

Designed for continuous operation in, chillers, coolers, vending and general water applications

### Pipes, Fittings and Mounting Plates

SPC pumps are fitted to python systems to provide the optimum cooling rate for soft drinks, beers and wines

Braided hose or brewery tubing complete with fittings available to order

Alternative mounting plates in stainless steel available to order

### Wetted Materials

PP or stainless steel mounting plate

ABS/PP/Nylon Column/Pump Body

Stainless steel shaft

Nylon Agitator

### Features

Up to 18 litres/minute,

Up to 23 metres head

Low maintenance and long life

Available with plugs and leads to suit application

Agitator propeller fitted as standard

Top mounted with keyhole mounting plate

IPX4 motor housing

Four stage pump head

### SPC 44 Voltage

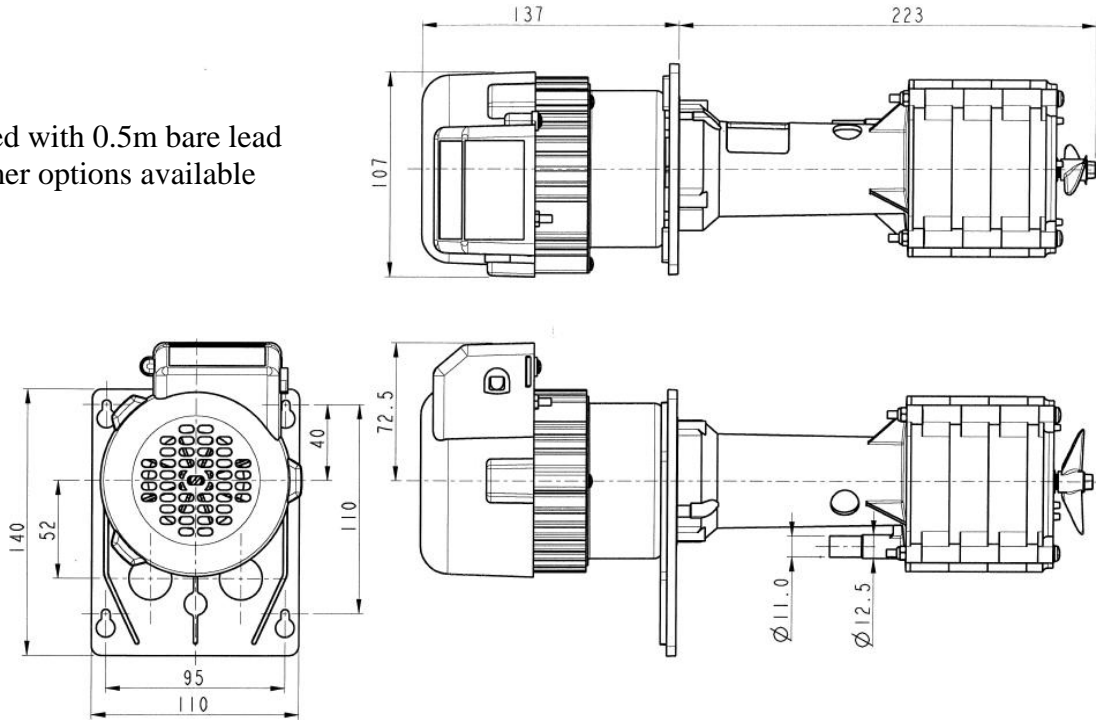
110V or 230V 50/60Hz versions



Drawings not to scale  
 Dimensions in millimetres

**SPC 44**

Supplied with 0.5m bare lead  
 Customer options available

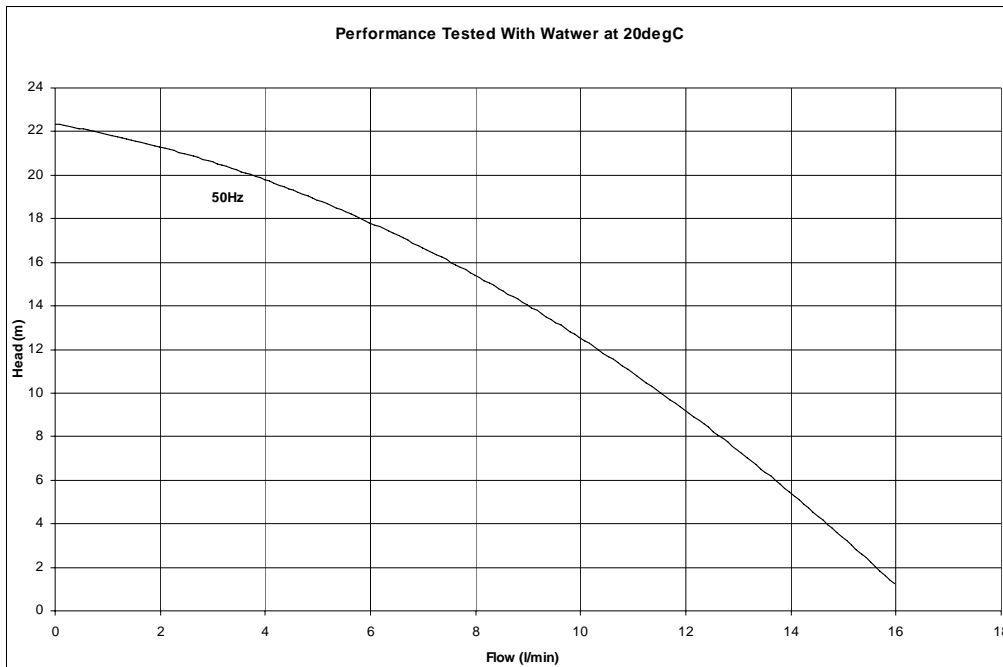


**Specification**

Model	Overall height (mm)	Overall length (mm)	Weight (kg)	Max capacity (l/min)	Max head (m)	Output port (mm)	Temp range (degC)	*Max specific gravity	Motor output (watts)
SPC 44	137	360	3.5	16	22.6	Plain 11/12.5 combined	-20 to +85	1.0	90

\*Assuming maximum viscosity of 30cp. Refer to Totton Pumps for higher viscosities and specific gravities

**Performance**



**NOTE:** These pumps are designed for use with clean fluids.  
 Solids will cause jamming. Abrasives will reduce pump life & invalidate the warranty.  
 SPC pumps are self-priming. The company reserves the right to change specifications

**Totton Pumps Ltd.**

Tel: +44 (0)23 8066 6685  
 Email: [info@totton-pumps.com](mailto:info@totton-pumps.com)

Fax: +44 (0)23 8066 6880  
 Web: [totton-pumps.co.uk](http://totton-pumps.co.uk)